



**MASON INDUSTRIES, Inc.**  
Manufacturers of Vibration Control Products

350 Rabro Drive      2101 W. Crescent Ave., Suite D  
Hauppauge, NY 11788      Anaheim, CA 92801  
631/348-0282      714/535-2727  
FAX 631/348-0279      FAX 714/535-5738  
Info@Mason-Ind.com • www.Mason-Ind.com

**STEEL CHANNELS  
with DOUBLE  
DEFLECTION  
NEOPRENE  
MOUNTINGS**

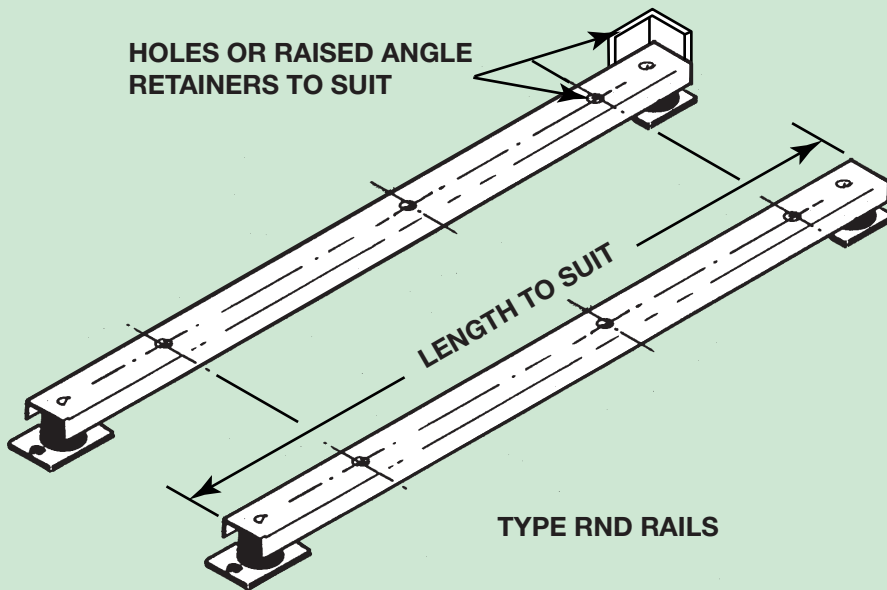
**TYPE**

**RND RAILS**

**DATA SHEET DS-804**

Type RND rails are structural steel channels furnished with double deflection neoprene mountings bolted to the web. All metal mounting parts are neoprene covered to avoid corrosion and provide a bottom friction surface. They need not be bolted to the floor but bolt holes are provided for those areas where bolting down is specified.

RND rails are used to extend equipment bases, eliminating overhand and improving weight distribution on the mountings as in the case of close coupled pumps or utility sets. They may also be used to reinforce bases that require supplementary stiffening between mounting locations.



**TYPE RND RAILS**

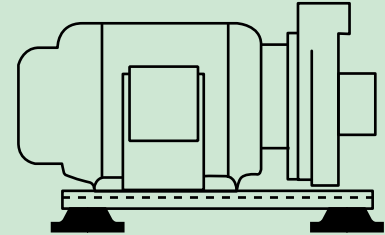
RAIL SIZE	W	H	MAX. DEFL.
RND-2	2"	15/8"	0.35"
RND-3	3"	2"	0.40"
RND-4	4"	3"	0.50"

**NOTE:**

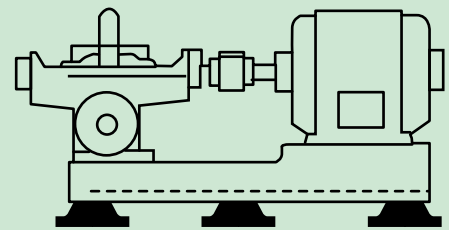
- RND-2** Rails are intended for light equipment only and seldom furnished in lengths longer than 24". Usual maximum load 150lbs. per rail.
- RND-3** Rails are used under intermediate weight equipment within a five foot average length limitation. Usual maximum load 1,000 lbs. per rail.
- RND-4** Rails are used where rail rigidity is important because of length or base configuration. Furnished in any length with capacities to suit.

Other Channel Sizes Furnished on Request.

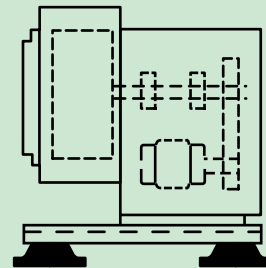
**TYPICAL "RND" RAIL APPLICATIONS**



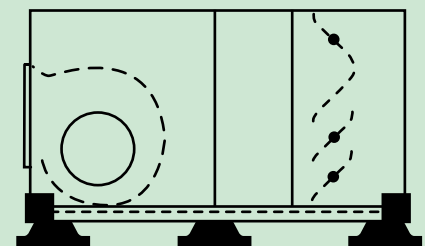
**CLOSE COUPLED PUMP**



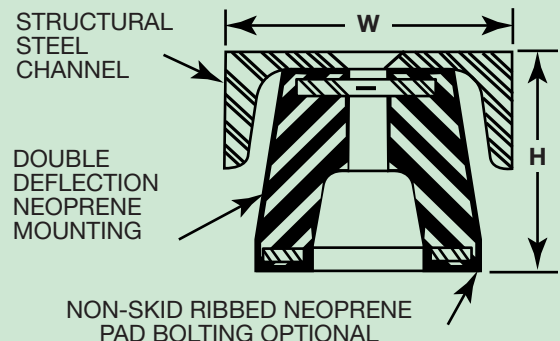
**SPLIT CASING PUMP**



**UTILITY SET**



**HV UNIT**



**RND RAIL CROSS SECTION**